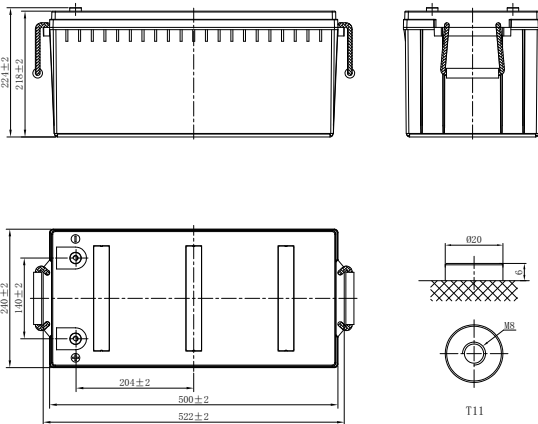


LPL SERIES-LONG LIFE STANDBY

LPL12-200 (12V200Ah)



CHARACTERISTICS

| Item | Specifications | |
|-------------------------------|---|---------------------|
| Rated Voltage | 12V | |
| Nominal Capacity (25°C) | C ₁₀ : 1.80V/cell | 200Ah |
| Dimension | Length | 522mm (20.6inches) |
| | Width | 240mm (9.45inches) |
| | Container Height | 218mm (8.58inches) |
| | Total Height | 224mm (8.82inches) |
| Approx Weight | 62.3kg (137.3lbs) | |
| Terminal | T11(M8) | |
| Container Material | ABS (UL94 HB or V-0 optional) | |
| Short-circuit current | 3600A | |
| Internal Resistance (25°C) | Approx 3.2 mΩ (Fully charged) | |
| Operating Temp. Range | Discharge | -15~50°C (5~122°F) |
| | Charge | -20~40°C (-4~104°F) |
| | Storage | -15~40°C (5~104°F) |
| Nominal Operating Temp. Range | 25±3°C (77±5°F) | |
| Max.Charging Current (25°C) | 0.3C | |
| Charge voltage (25°C) | Standby Use | Cycle Use |
| | 2.25-2.30V/cell | 2.35-2.40V/cell |
| Temp. Coefficient | -3mV/cell/°C | |
| | 40°C (104°F) | 103% |
| Effect of temp. to Capacity | 25°C (77°F) | 100% |
| | 0°C (32°F) | 86% |
| | ≤3% per month at 25°C (77°F). LPL series batteries may be stored up to 6 months at 25°C (77°F) and then a freshening charge is required. For higher temperatures the time interval will be shorter. | |
| Self Discharge | | |

DISCHARGE TABLE

| Constant Current Discharge (Amperes) at 25°C (77°F) | | | | | | | | | | | | | | |
|---|-------|-------|-------|-------|-------|-------|------|------|------|------|------|------|------|------|
| F.V/Time | 10min | 15min | 20min | 30min | 45min | 1h | 2h | 3h | 4h | 5h | 6h | 8h | 10h | 20h |
| 1.85V/cell | 281.1 | 243.7 | 200.7 | 157.7 | 117.8 | 101.8 | 63.3 | 46.4 | 36.4 | 31.6 | 27.9 | 21.4 | 19.1 | 10.1 |
| 1.80V/cell | 319.1 | 276.2 | 224.0 | 171.7 | 124.8 | 105.5 | 65.4 | 50.4 | 38.9 | 33.3 | 29.9 | 22.6 | 20.0 | 10.5 |
| 1.75V/cell | 346.0 | 299.0 | 237.1 | 175.2 | 129.3 | 110.7 | 68.8 | 51.4 | 39.6 | 33.9 | 30.2 | 22.7 | 20.2 | 10.6 |
| 1.70V/cell | 368.9 | 317.6 | 248.2 | 178.7 | 131.9 | 112.9 | 70.2 | 52.4 | 40.3 | 34.4 | 30.3 | 23.0 | 20.4 | 10.7 |
| 1.67V/cell | 380.6 | 326.8 | 254.1 | 181.3 | 133.8 | 114.6 | 71.2 | 52.9 | 40.9 | 35.1 | 30.5 | 23.3 | 20.7 | 10.8 |
| 1.60V/cell | 393.6 | 337.0 | 260.5 | 183.9 | 135.7 | 116.2 | 72.3 | 53.4 | 41.4 | 35.6 | 30.7 | 23.6 | 20.9 | 11.0 |

| Constant Power Discharge (Watts/cell) at 25°C (77°F) | | | | | | | | | | | | | | |
|--|-------|-------|-------|-------|-------|-------|-------|-------|------|------|------|------|------|------|
| F.V/Time | 10min | 15min | 20min | 30min | 45min | 1h | 2h | 3h | 4h | 5h | 6h | 8h | 10h | 20h |
| 1.85V/cell | 528.8 | 461.4 | 381.4 | 301.3 | 226.4 | 197.0 | 123.2 | 90.8 | 71.5 | 62.3 | 55.1 | 42.5 | 38.0 | 20.2 |
| 1.80V/cell | 591.5 | 516.2 | 420.9 | 325.5 | 238.3 | 202.9 | 126.6 | 98.0 | 76.0 | 65.2 | 58.9 | 44.6 | 39.7 | 20.9 |
| 1.75V/cell | 631.3 | 550.9 | 440.3 | 329.6 | 245.5 | 212.0 | 132.7 | 99.7 | 77.2 | 66.2 | 59.2 | 44.7 | 40.1 | 21.1 |
| 1.70V/cell | 663.7 | 579.1 | 456.3 | 333.4 | 248.6 | 215.1 | 134.8 | 101.2 | 78.2 | 67.1 | 59.4 | 45.4 | 40.4 | 21.3 |
| 1.67V/cell | 674.5 | 588.6 | 462.2 | 335.7 | 250.9 | 217.0 | 136.2 | 101.8 | 79.2 | 68.2 | 59.5 | 45.9 | 40.9 | 21.5 |
| 1.60V/cell | 683.9 | 596.8 | 467.0 | 337.2 | 252.1 | 218.6 | 137.3 | 102.2 | 79.7 | 68.9 | 59.8 | 46.4 | 41.3 | 21.7 |

LPL SERIES-LONG LIFE STANDBY

LPL12-200 (12V200Ah)



APPLICATIONS

- UPS and EPS
- Emergency light
- Railway signal and aircraft signal system
- Marine and power stations
- Alarm and security system
- Electronic apparatus and equipment
- Communication power supply, DC power supply

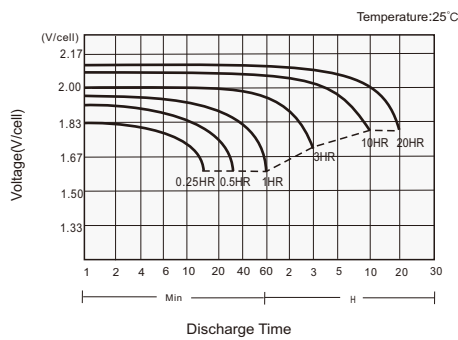
GENERAL FEATURES

- 12 years design life (25°C)
- Lead calcium alloy, sealed design, no watering required
- Puncture resistant micro-porous glass mat separators extend life
- Unique technology optimizes power capacity, cell consistency, and long-term reliability
- Designed for a wide range of applications

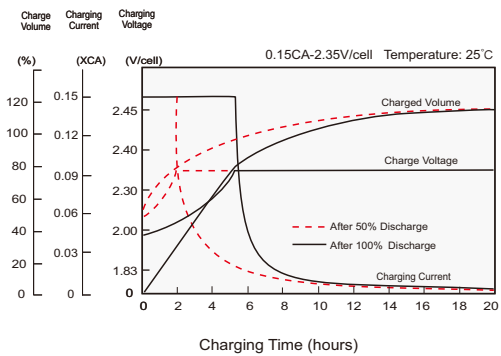
STANDARDS

- Compliance with IEC 60896 standards, EU Battery Directive
- UL, CE Approved
- Manufactured in Leoch@IATF 16949, ISO 45001, ISO 9001 and ISO 14001 certified production facilities

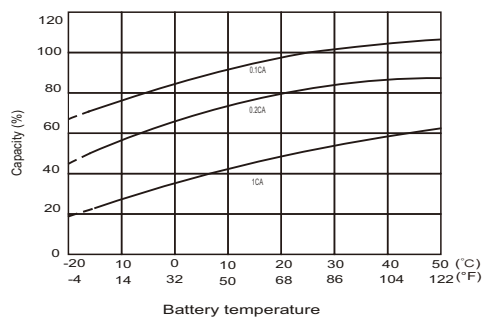
Discharge Characteristics



Charging Characteristics



Effects of Temperature on Capacity



Self Discharge Characteristics

