

EFB START-STOP BATTERY

EFB-D23L(Q-85) (12V65Ah)



CHARACTERISTICS

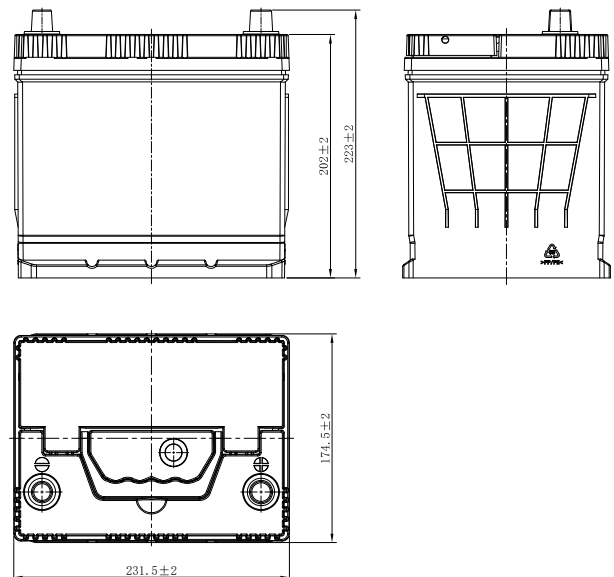
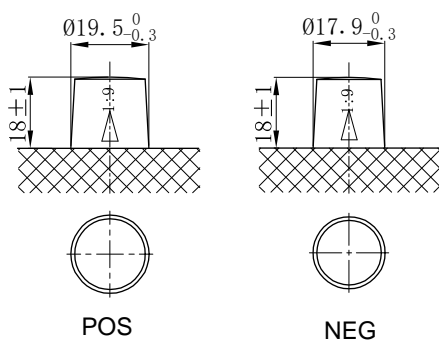
| Item | Specifications | |
|--------------------------------|-------------------|----------------------|
| Nominal Voltage | 12V | |
| Nominal Capacity (20HR) | 65Ah | |
| Reserve Capacity | 115min | |
| Cold Cranking Amps@0°F (-18°C) | 620A | |
| Dimension | Length | 231.5mm (9.11inches) |
| | Width | 174.5mm (6.87inches) |
| | Height | 223mm (8.78inches) |
| Approx Weight | 17.5kg (38.6lbs) | |
| Terminal | 1 | |
| Cell layout | 0 | |
| Hold-Down | B1 | |
| Case | Black-PP Material | |
| Cover | Black-PP Material | |
| Handle | TS1 | |

APPLICATIONS

- Car with start-stop system
- EV/HEV
- Engine start

GENERAL FEATURES

- High capacity and high CCA
- 2x Faster Charge Acceptance than conventional starter batteries
- 2x Higher Cycle Life than conventional starter batteries
- Strong alloy grids for rugged durability and improved tolerance in extreme temperature conditions
- OE quality certification



*Values are subject to variation of +/- 5% in normal manufacturing processes.

Leoch International Technology Ltd.
www.leoch.com

Leoch Batteries Pte Ltd
www.leoch.sg

Leoch Battery Corporation
www.leochamericas.com

Leoch Europe S.A.
www.leoch.eu