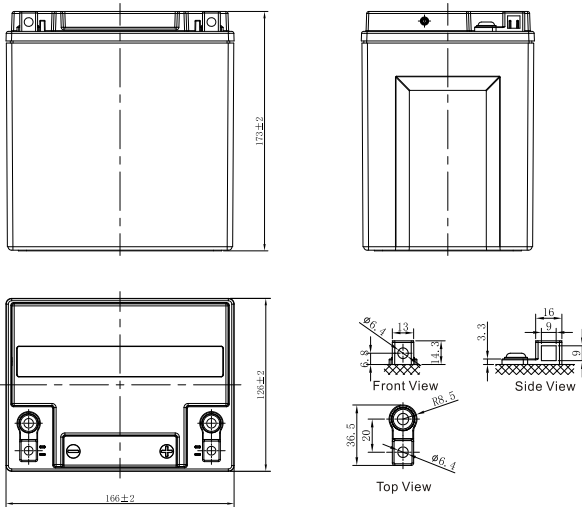


MAINTENANCE-FREE MOTORCYCLE BATTERY

HPG30-3-1 (12V30Ah)



GENERAL FEATURES

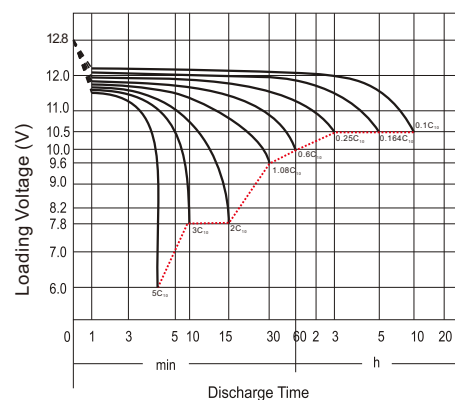
- Longer lifespan
- Lower self-discharge
- Totally Maintenance-free
- Shipped pre-charged and ready to install

*Values are subject to variation of +/- 5% in normal manufacturing processes.

CHARACTERISTICS

Item	Specifications	
Nominal Voltage	12V	
Nominal Capacity (10HR)	30Ah	
Cold Cranking Performance Amps@0°F (-18°C)	385A	
Dimension (±2mm)	Length	166mm (6.54inches)
	Width	126mm (4.96inches)
	Container Height	173mm (6.81inches)
	Total Height	173mm (6.81inches)
Battery (with acid)	Approx Weight	9.38kg (20.7lbs)
Terminal type	A	
Battery type	HPG Series	
Voltage Full Charge	Constant-Voltage Charge:	
	Initial charging current	Less than 0.3C ₁₀
	14.40V~15.00V at 25°C (77°F)	
	Charging time	15~18h
Floating Charge Voltage	Constant-Current Charge:	
	Charging current 0.1C ₁₀ , when charging voltage up to 14.40V, continue to charge 4h	
	Initial charging current	Unlimited
	13.50V~13.80V at 25°C (77°F)	
Capacity affected by Temperature	40°C (104°F)	106%
	25°C (77°F)	100%
	0°C (32°F)	86%
	-15°C (5°F)	65%

Discharge Characteristics (25°C, 77°F)



Leoch International Technology Ltd.
www.leoch.com

Leoch Batteries Pte Ltd
www.leoch.sg

Leoch Battery Corporation
www.leochamericas.com

Leoch Europe S.A.
www.leoch.eu