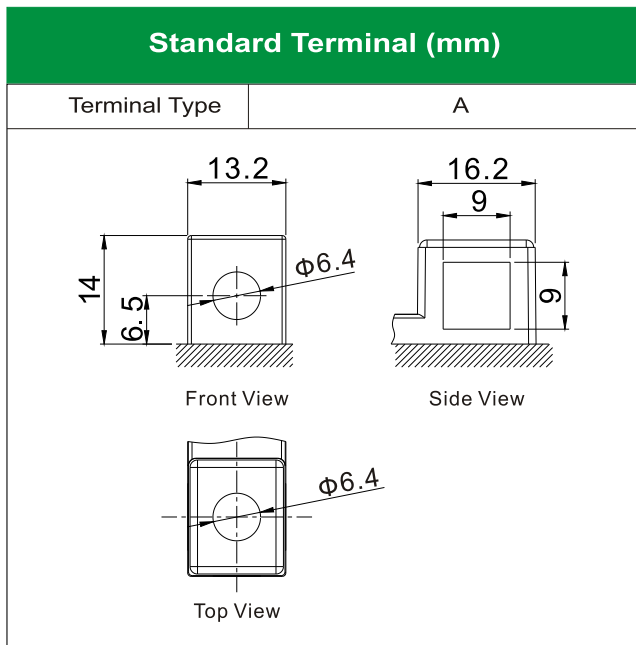
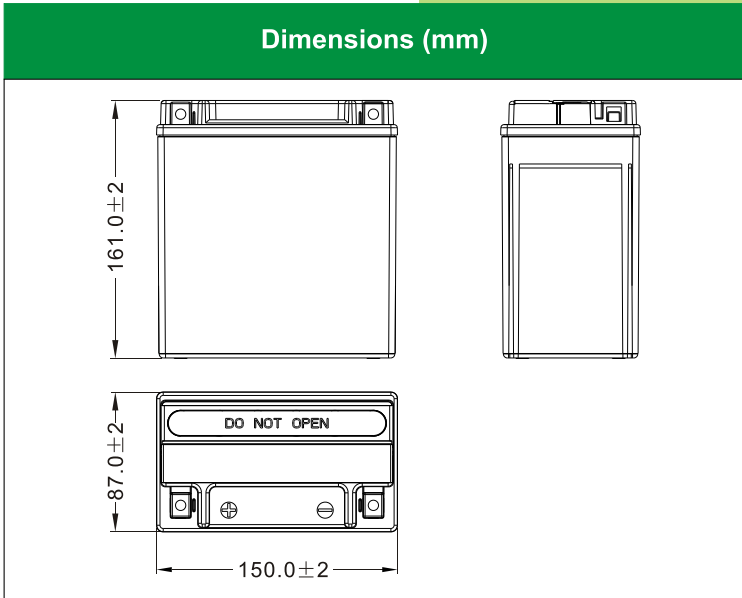




LEOCH BATTERY

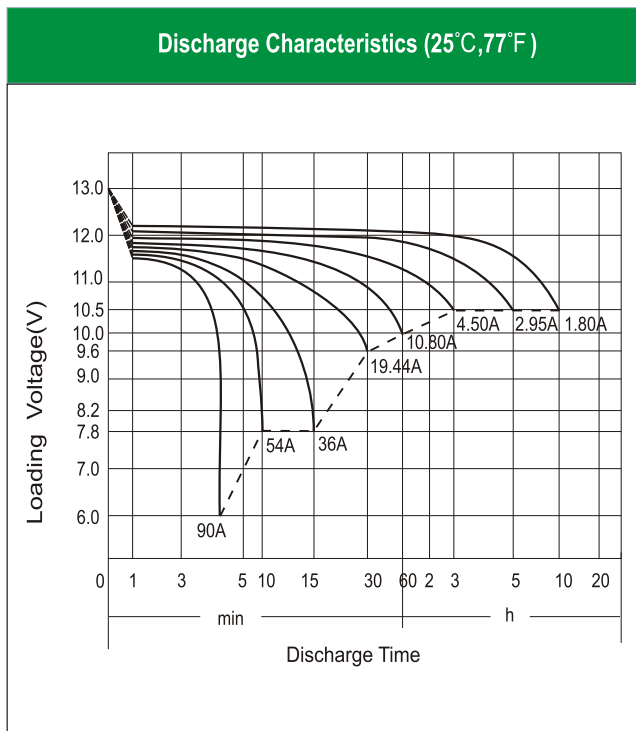
EBX20CH-BS(J) [12V18Ah]



Physical Specification

Nominal Voltage	12V	
Nominal Capacity (10HR)	18Ah	
Dimension	Length	150 ± 2 mm (5.91 inches)
	Width	87 ± 2 mm (3.43 inches)
	Container Height	161 ± 2 mm (6.34 inches)
	Total Height (with Terminal)	161 ± 2 mm (6.34 inches)
Weight	Battery(with acid): Approx 5.18kg (11.42lbs)	
	Electrolyte: Approx 1.08kg (2.38lbs)	

- * Sealed AGM battery
- * Fresh Pack, Maintenance Free
- * Powerful 170 cold cranking amps
- * Rest after filling acid
- * Maximum tilt angle for installation: 25°



Electrical Specification

Rated Capacity	10 hour rate (1.80 A)	18.00Ah
	5 hour rate (2.95 A)	14.76Ah
	2 hour rate (6.30 A)	12.60Ah
	1 hour rate (10.80 A)	10.80Ah
	0.5 hour rate (19.44 A)	9.72Ah
Capacity affected by Temperature	40 °C (104 °F)	106%
	25 °C (77 °F)	100%
	0 °C (32 °F)	86%
	-15 °C (5 °F)	65%
Charging Methods	Full Charge	Constant-Voltage Charge: Initial charging current: less than 5.4A Voltage: 14.40 V ~ 15.00 V at 25 °C (77 °F) Charging time: 15 ~18h Constant-Current Charge: Charging current: $0.1C_{10}=1.80A$, when charging voltage up to 14.40V, continue to charge 4h
	Floating Charge	No limit on Initial charging current Voltage: 13.50 V ~ 13.80 V at 25 °C (77 °F)