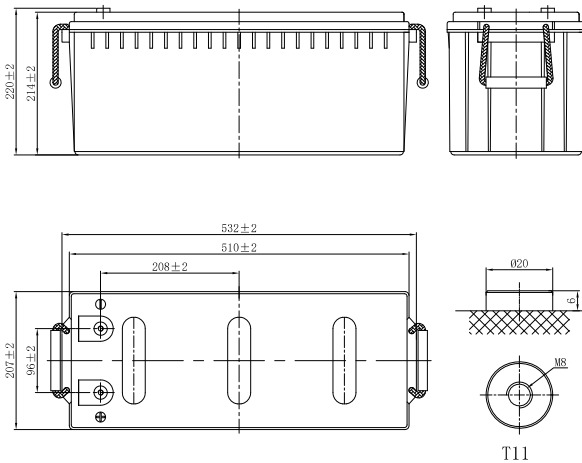


# LHR SERIES-HIGH RATE

## LHR12605W (12V605W)



### CHARACTERISTICS

Item	Specifications	
Rated Voltage	12V	
Nominal Rate (25°C)	$W_{15}, 1.67V/cell$	605W/cell
Nominal Capacity (25°C)	$C_{10}, 1.80V/cell$	170Ah
Dimension	Length	532mm (20.9inches)
	Width	207mm (8.15inches)
	Container Height	214mm (8.43inches)
	Total Height	220mm (8.66inches)
Approx Weight	54.8kg (120.8lbs)	
Terminal	T11(M8)	
Container Material	ABS (UL94 HB or V-0 optional)	
Short-circuit current	3400A	
Internal Resistance (25°C)	Approx 3.2 mΩ (Fully charged)	
Operating Temp. Range	Discharge	-20~55°C (-4~131°F)
	Charge	-20~40°C (-4~104°F)
	Storage	-15~50°C (5~122°F)
Nominal Operating Temp. Range	25±3°C (77±5°F)	
Max.Charging Current (25°C)	0.25C	
Charge voltage (25°C)	Standby Use	Equalization Use
	2.25-2.30V/cell	2.30-2.40V/cell
Temp. Coefficient	-3mV/cell/°C	-4mV/cell/°C
	40°C (104°F)	106%
Effect of temp. to Capacity	25°C (77°F)	100%
	0°C (32°F)	86%
	Self Discharge	≤ 3% per month at 25°C (77°F)

### DISCHARGE TABLE

Constant Current Discharge (Amperes) at 25°C (77°F)														
F.V/Time	5min	10min	15min	20min	30min	45min	1h	1.5h	2h	3h	4h	5h	8h	10h
1.85V/cell	361.9	288.9	250.5	197.0	139.0	104.1	93.6	68.7	56.2	41.8	33.1	28.0	19.3	16.5
1.80V/cell	411.6	328.0	283.9	222.7	156.7	111.3	96.7	70.8	59.5	43.2	34.3	29.1	19.7	17.0
1.75V/cell	447.1	355.7	307.3	240.5	168.6	116.4	100.7	73.7	61.8	44.2	35.5	29.9	19.9	17.1
1.70V/cell	477.9	379.2	326.4	255.0	178.7	120.5	105.1	76.8	63.2	45.1	36.3	30.6	20.2	17.2
1.67V/cell	494.6	391.2	335.9	261.9	183.0	126.5	106.2	78.8	64.8	46.1	36.8	31.0	20.5	17.5
1.60V/cell	512.1	404.6	346.4	268.6	187.4	133.6	108.2	81.4	66.0	47.3	37.6	31.6	20.6	17.5

Constant Power Discharge (Watts/cell) at 25°C (77°F)														
F.V/Time	5min	10min	15min	20min	30min	45min	1h	1.5h	2h	3h	4h	5h	8h	10h
1.85V/cell	675.9	543.6	474.3	374.7	265.6	200.2	181.0	133.2	109.3	81.8	64.9	55.1	38.4	32.9
1.80V/cell	756.1	608.1	530.6	419.2	297.1	212.5	186.0	136.5	115.2	84.1	67.1	57.1	39.1	33.8
1.75V/cell	806.9	649.0	566.3	447.4	317.1	221.0	192.8	141.5	119.1	85.7	69.1	58.5	39.3	33.9
1.70V/cell	848.3	682.2	595.3	470.3	333.4	227.3	200.2	146.7	121.4	87.2	70.4	59.7	39.9	34.1
1.67V/cell	862.1	693.3	605.0	478.0	338.8	237.3	201.2	149.8	123.8	88.7	71.1	60.2	40.3	34.5
1.60V/cell	874.2	703.0	613.5	484.6	343.5	248.1	203.5	153.7	125.4	90.5	72.4	61.2	40.4	34.7

# LHR SERIES-HIGH RATE

## LHR12605W (12V605W)



### APPLICATIONS

- UPS
- Hospitals and Testing Laboratories
- Emergency Power Supply
- Industrial Process Control Facilities
- Banks and Financial Markets
- Data and Network Operation Centers

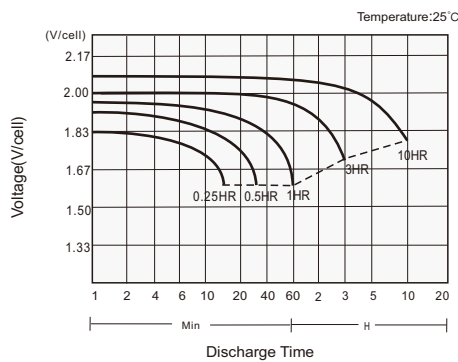
### GENERAL FEATURES

- 12 years design life (25°C)
- Excellent high current performance - optimised for short discharge time
- Advanced AGM technology for superior high-rate power
- Long Life Alloy - minimizing grid growth, reducing gassing, and extending battery life
- Epoxy-sealed posts eliminate leaks
- Optimal energy density - saves floor space

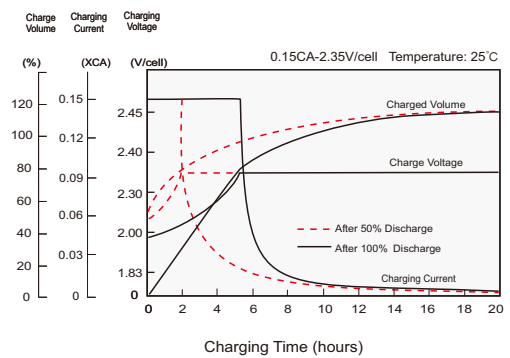
### STANDARDS

- Compliance with IEC 60896 standards
- Classified as "Long Life" according to Eurobat
- CE,UL Approved
- Manufactured in Leoch@IATF 16949, ISO 45001,ISO 9001 and ISO 14001 certified production facilities

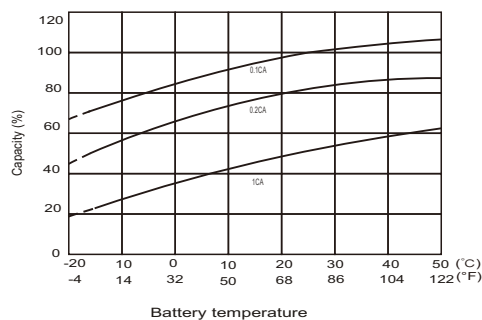
#### Discharge Characteristics



#### Charging Characteristics



#### Effects of Temperature on Capacity



#### Self Discharge Characteristics

