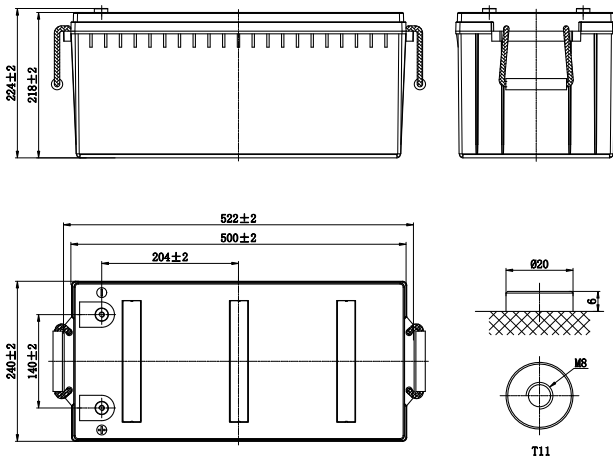


LHR SERIES-HIGH RATE

LHR12820W(A) (12V820W)



CHARACTERISTICS

Item	Specifications	
Rated Voltage	12V	
Nominal Rate (25°C)	$W_{15}, 1.67V/cell$	820W/cell
Nominal Capacity (25°C)	$C_{10}, 1.80V/cell$	215Ah
Dimension	Length	522mm (20.6inches)
	Width	240mm (9.45inches)
	Container Height	218mm (8.58inches)
	Total Height	224mm (8.82inches)
Approx Weight	69kg (152.1lbs)	
Terminal	T11(M8)	
Container Material	ABS (UL94 HB or V-0 optional)	
Short-circuit current	4300.0A	
Internal Resistance (25°C)	Approx 2.5 mΩ (Fully charged)	
Operating Temp. Range	Discharge	-20~55°C (-4~131°F)
	Charge	-20~40°C (-4~104°F)
	Storage	-15~50°C (5~122°F)
Nominal Operating Temp. Range	25±3°C (77±5°F)	
Max.Charging Current (25°C)	0.25C	
Charge voltage (25°C)	Standby Use	Equalization Use
	2.25-2.30V/cell	2.30-2.40V/cell
Temp. Coefficient	-3mV/cell/°C	-4mV/cell/°C
	40°C (104°F)	106%
Effect of temp. to Capacity	25°C (77°F)	100%
	0°C (32°F)	86%
	Self Discharge	≤ 3% per month at 25°C (77°F)

DISCHARGE TABLE

Constant Current Discharge (Amperes) at 25°C (77°F)														
F.V/Time	5min	10min	15min	20min	30min	45min	1h	1.5h	2h	3h	4h	5h	8h	10h
1.85V/cell	490.5	391.6	339.5	267.0	185.0	146.0	118.3	86.9	71.1	52.9	41.8	35.4	24.5	20.9
1.80V/cell	557.9	444.5	384.8	301.9	208.6	155.1	122.3	89.5	75.2	54.7	43.4	36.8	25.0	21.5
1.75V/cell	605.9	482.1	416.5	325.9	224.4	164.4	127.4	93.2	78.1	55.8	44.8	37.9	25.2	21.6
1.70V/cell	647.8	514.0	442.4	345.6	237.9	172.5	132.9	97.1	80.0	57.1	45.9	38.7	25.6	21.7
1.67V/cell	670.4	530.3	455.3	355.0	243.6	177.2	134.4	99.6	81.9	58.3	46.5	39.2	25.9	22.1
1.60V/cell	694.1	548.4	469.4	364.1	249.5	181.6	136.8	103.0	83.5	59.8	47.6	40.0	26.0	22.2

Constant Power Discharge (Watts/cell) at 25°C (77°F)														
F.V/Time	5min	10min	15min	20min	30min	45min	1h	1.5h	2h	3h	4h	5h	8h	10h
1.85V/cell	916.1	736.7	642.9	507.9	353.6	280.7	228.9	168.4	138.3	103.4	82.1	69.7	48.6	41.6
1.80V/cell	1024.8	824.1	719.1	568.1	395.5	296.2	235.3	172.6	145.6	106.3	84.8	72.2	49.4	42.7
1.75V/cell	1093.7	879.6	767.5	606.3	422.1	312.1	243.9	178.9	150.6	108.3	87.3	74.0	49.8	42.8
1.70V/cell	1149.8	924.7	806.9	637.4	443.8	325.3	253.2	185.5	153.6	110.3	89.1	75.5	50.5	43.1
1.67V/cell	1168.5	939.7	820.0	647.8	451.0	332.3	254.5	189.4	156.6	112.2	89.9	76.2	50.9	43.7
1.60V/cell	1184.9	952.9	831.5	656.9	457.3	337.3	257.4	194.4	158.7	114.5	91.6	77.3	51.1	43.8

LHR SERIES-HIGH RATE

LHR12820W(A) (12V820W)



APPLICATIONS

- UPS
- Hospitals and Testing Laboratories
- Emergency Power Supply
- Industrial Process Control Facilities
- Banks and Financial Markets
- Data and Network Operation Centers

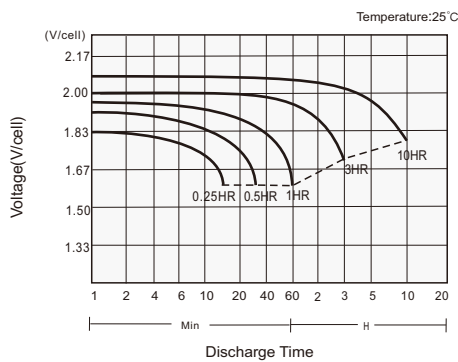
GENERAL FEATURES

- 12 years design life (25°C)
- Excellent high current performance - optimised for short discharge time
- Advanced AGM technology for superior high-rate power
- Long Life Alloy - minimizing grid growth, reducing gassing, and extending battery life
- Epoxy-sealed posts eliminate leaks
- Optimal energy density - saves floor space

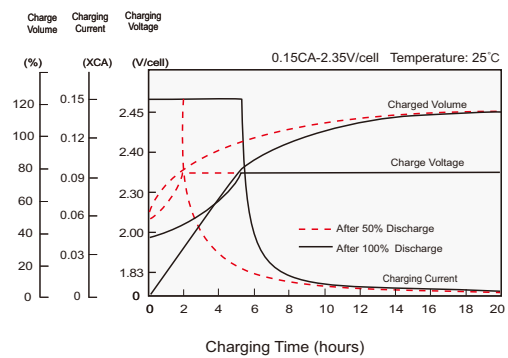
STANDARDS

- Compliance with IEC 60896 standards
- Classified as "Long Life" according to Eurobat
- CE, UL Approved
- Manufactured in Leoch@IATF 16949, ISO 45001, ISO 9001 and ISO 14001 certified production facilities

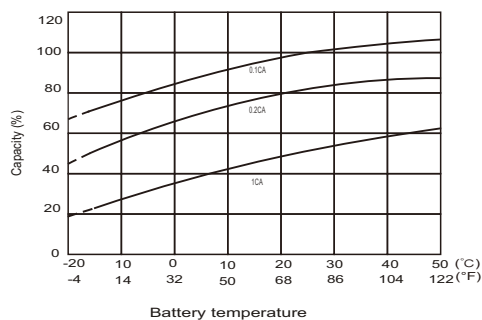
Discharge Characteristics



Charging Characteristics



Effects of Temperature on Capacity



Self Discharge Characteristics

