

FLOODED BATTERY

46B24L (12V45Ah)



CHARACTERISTICS

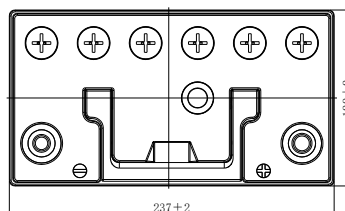
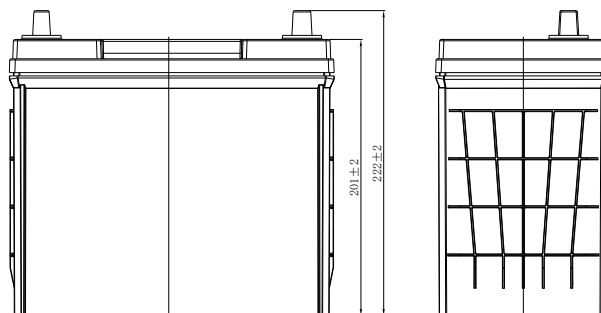
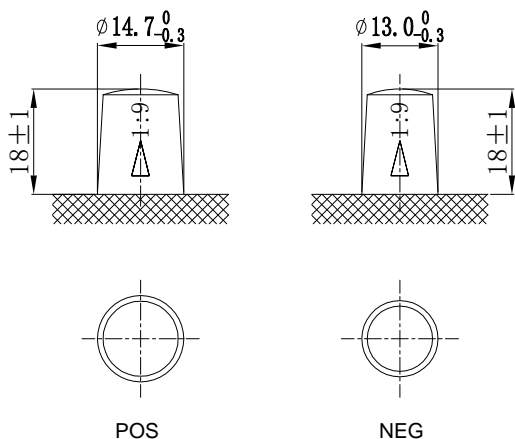
| Item | Specifications | |
|--------------------------------|------------------------------|--------------------|
| Nominal Voltage | 12V | |
| Nominal Capacity (20HR) | 45Ah | |
| Reserve Capacity | 70min | |
| Cold Cranking Amps@0°F (-18°C) | 380A | |
| Dimension | Length | 237mm (9.33inches) |
| | Width | 128mm (5.04inches) |
| | Container Height | 201mm (7.91inches) |
| | Total Height (with Terminal) | 222mm (8.74inches) |
| Approx Weight | 11.8kg (26.0lbs) | |
| Terminal | 3 | |
| Cell layout | 0 | |
| Hold-Down | B0 | |
| Case | Black-PP Material | |
| Cover | Black-PP Material | |
| Handle | TS9 | |

APPLICATIONS

- Car start
- EV/HEV
- Engine start

GENERAL FEATURES

- High capacity and high CCA
- Long life
- Advanced lead-calcium alloy technology, maintenance-free design
- Patented venting system bring less water loss and prevent acid leakage
- OE quality certification



*Values are subject to variation of +/- 5% in normal manufacturing processes.

Leoch International Technology Ltd.
www.leoch.com

Leoch Batteries Pte Ltd
www.leoch.sg

Leoch Battery Corporation
www.leochamericas.com

Leoch Europe S.A.
www.leoch.eu