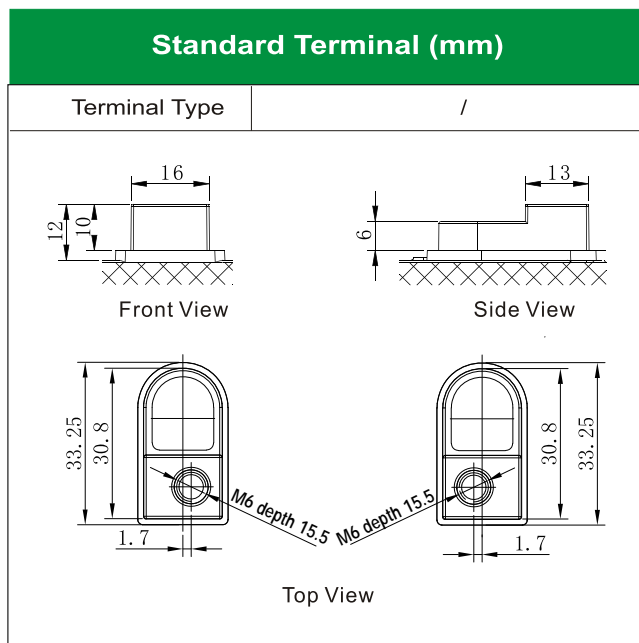
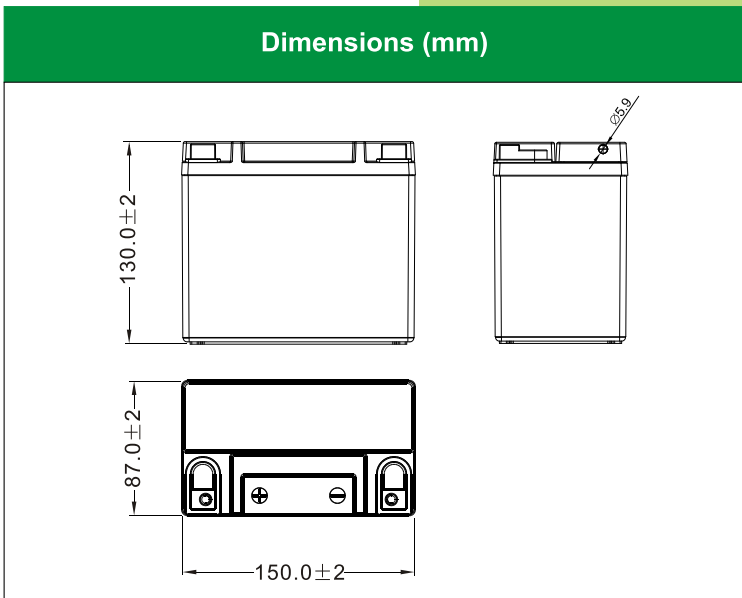




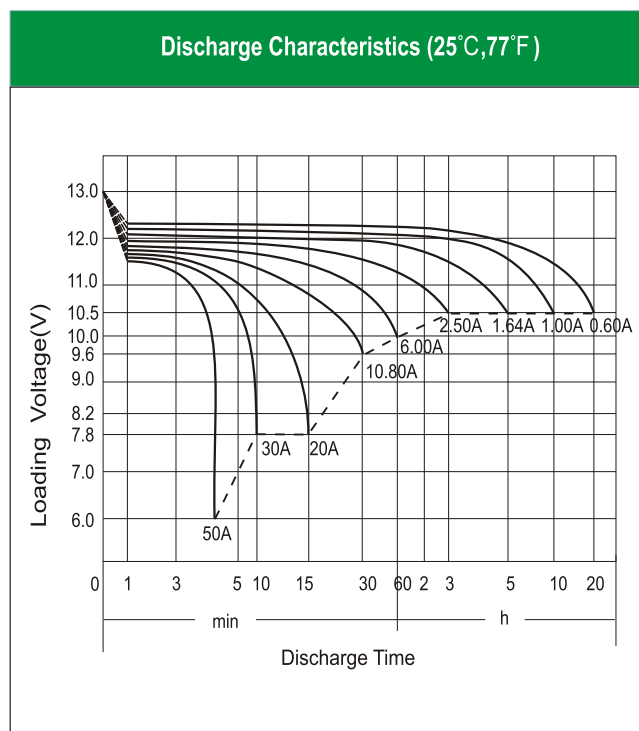
# LEOCH BATTERY EB12D-4 [12V12Ah]



### Physical Specification

|                         |   |                       |
|-------------------------|---|-----------------------|
| Nominal Voltage         |   | 12V                   |
| Nominal Capacity (20HR) |   | 12Ah                  |
| Dimension               | Length  | 150±2mm (5.91 inches) |
|                         | Width   | 87±2mm (3.43 inches)  |
|                         | Container Height  | 130±2mm (5.12 inches) |
|                         | Total Height (with Terminal)  | 130±2mm (5.12 inches) |
| Weight                  | Battery(with acid): Approx 4.25kg (9.37lbs)<br>Electrolyte: Approx 0.82kg (1.81lbs) |                       |

- \* Sealed and non-spillable AGM battery
- \* Maintenance-free
- \* Powerful 180 cold cranking amps
- \* Shipped pre-charged and ready to install
- \* Replaces none battery



### Electrical Specification

|                                  |                         |  |
|----------------------------------|-------------------------|--|
| Rated Capacity                   | 20 hour rate (0.60 A)   | 12.0Ah   |
|                                  | 10 hour rate (1.00 A)   | 10.0Ah   |
| Capacity affected by Temperature | 5 hour rate ( 1.64 A)   | 8.20Ah   |
|                                  | 2 hour rate (3.50 A)    | 7.00Ah   |
|                                  | 1 hour rate (6.00 A)    | 6.00Ah   |
|                                  | 0.5 hour rate (10.80 A) | 5.40Ah   |
|                                  | 40 °C ( 104 °F)         | 106%   |
| Charging Methods                 | 25 °C ( 77 °F)          | 100%   |
|                                  | 0 °C ( 32 °F)           | 86%  |
| Charging Methods                 | -15 °C ( 5 °F)          | 65%  |
|                                  | Full Charge             | Constant-Voltage Charge:<br>Initial charging current: less than 3.0A<br>Voltage: 14.40 V ~ 15.00 V at 25 °C ( 77 °F)<br>Charging time: 15 ~18h<br>Constant-Current Charge:<br>Charging current: 0.1C <sub>10</sub> =1.00A, when charging voltage up to 14.40V, continue to charge 4h |
| Floating Charge                  |                         | No limit on Initial charging current<br>Voltage: 13.50 V ~ 13.80 V at 25 °C ( 77 °F)   |