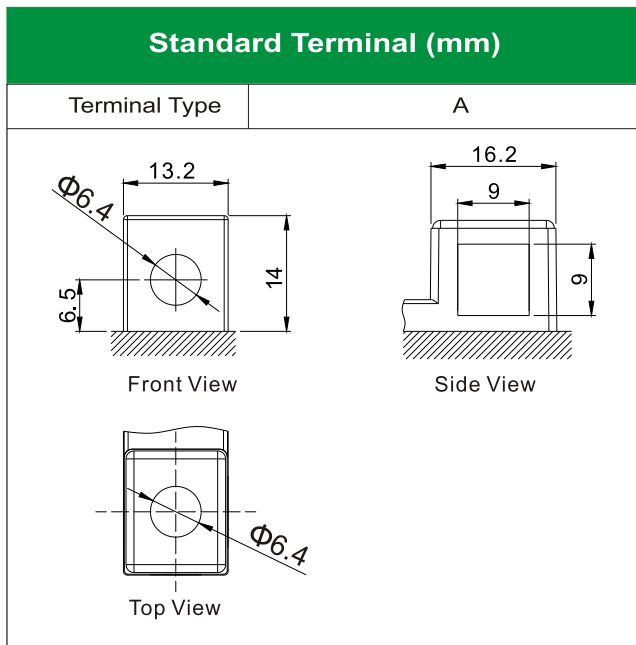
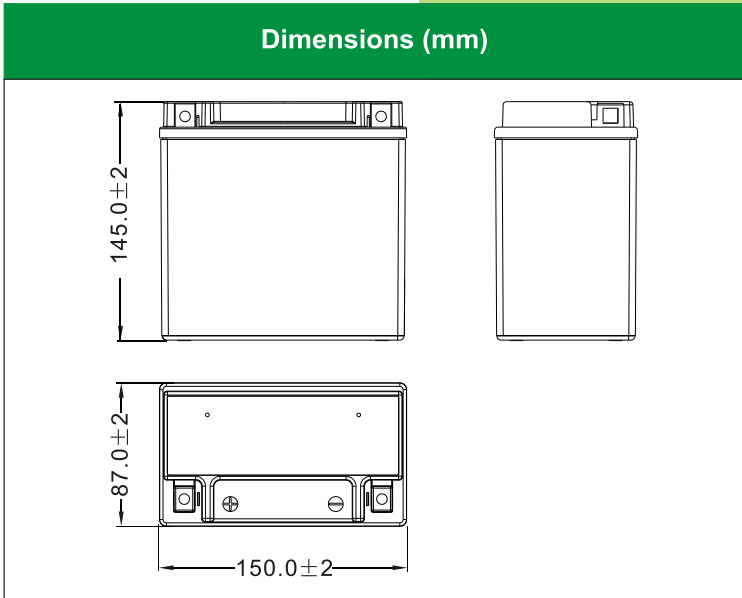




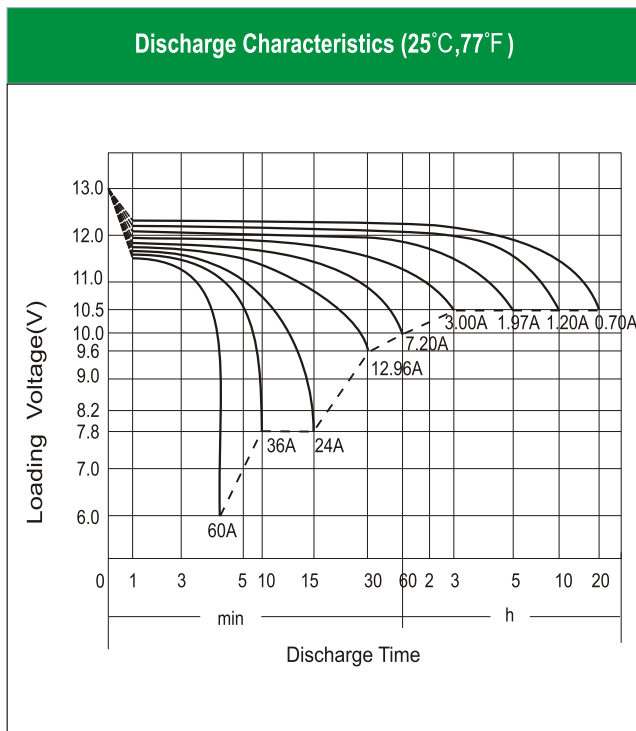
**LEOCH BATTERY**  
**EB14-4 [12V14Ah]**



### Physical Specification

|                         |  |                       |
|-------------------------|--|-----------------------|
| Nominal Voltage         | 12V  |                       |
| Nominal Capacity (20HR) | 14Ah   |                       |
| Dimension               | Length                                       | 150±2mm (5.91 inches) |
|                         | Width  | 87±2mm (3.43 inches)  |
|                         | Container Height                             | 145±2mm (5.71 inches) |
|                         | Total Height (with Terminal)                 | 145±2mm (5.71 inches) |
| Weight                  | Battery(with acid): Approx 4.76kg (10.50lbs) |                       |
|                         | Electrolyte: Approx 0.92kg (2.03lbs)         |                       |

- \* Sealed and non-spillable AGM battery
- \* Maintenance-free
- \* Powerful 200 cold cranking amps
- \* Shipped pre-charged and ready to install
- \* Replaces none battery



### Electrical Specification

|                                  |                         |   |
|----------------------------------|-------------------------|---|
| Rated Capacity                   | 20 hour rate (0.70 A)   | 14.00Ah   |
|                                  | 10 hour rate (1.20 A)   | 12.00Ah   |
|                                  | 5 hour rate ( 1.97 A)   | 9.84Ah  |
|                                  | 2 hour rate (4.20 A)    | 8.40Ah  |
|                                  | 1 hour rate (7.20 A)    | 7.20Ah  |
|                                  | 0.5 hour rate (12.96 A) | 6.48Ah  |
| Capacity affected by Temperature | 40 °C (104 °F)          | 106%  |
|                                  | 25 °C (77 °F)           | 100%  |
|                                  | 0 °C (32 °F)            | 86%   |
|                                  | -15 °C (5 °F)           | 65%   |
| Charging Methods                 | Full Charge             | Constant-Voltage Charge:<br>Initial charging current: less than 3.6A<br>Voltage: 14.40 V ~ 15.00 V at 25 °C (77 °F)<br>Charging time: 15 ~18h<br>Constant-Current Charge:<br>Charging current: 0.1C <sub>10</sub> =1.20A, when charging voltage up to 14.40V, continue to charge 4h |
|                                  | Floating Charge         | No limit on Initial charging current<br>Voltage: 13.50 V ~ 13.80 V at 25 °C (77 °F)   |