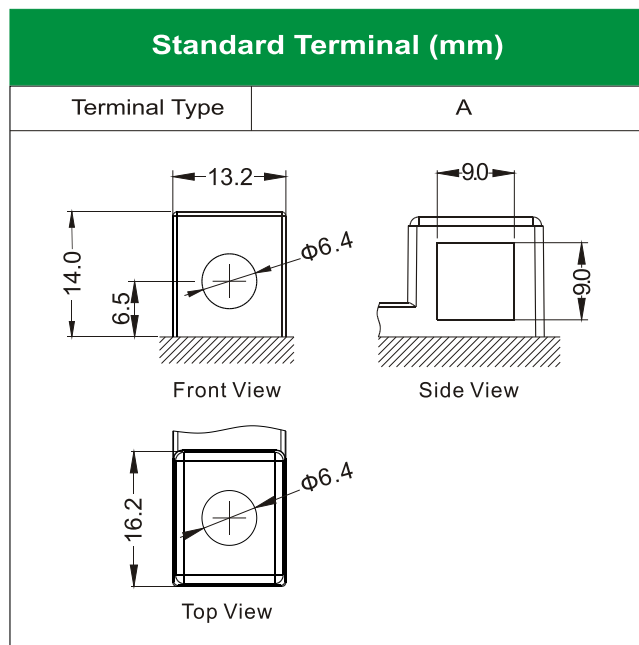
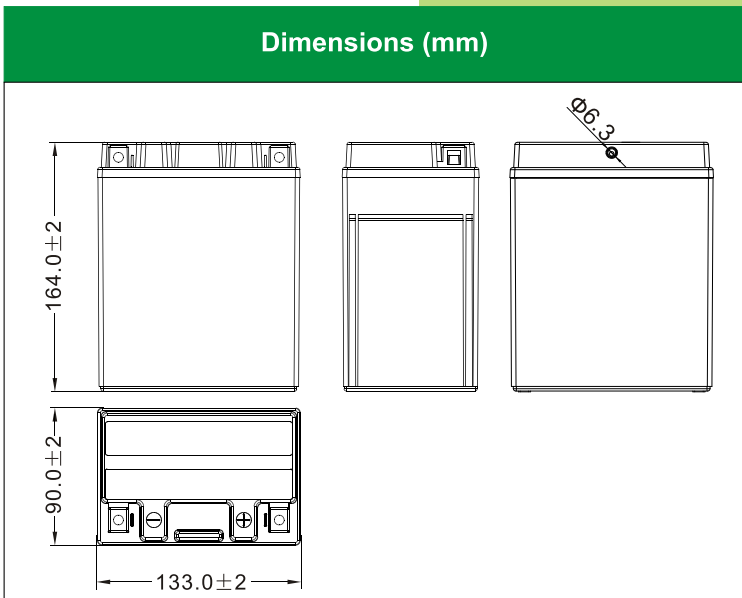




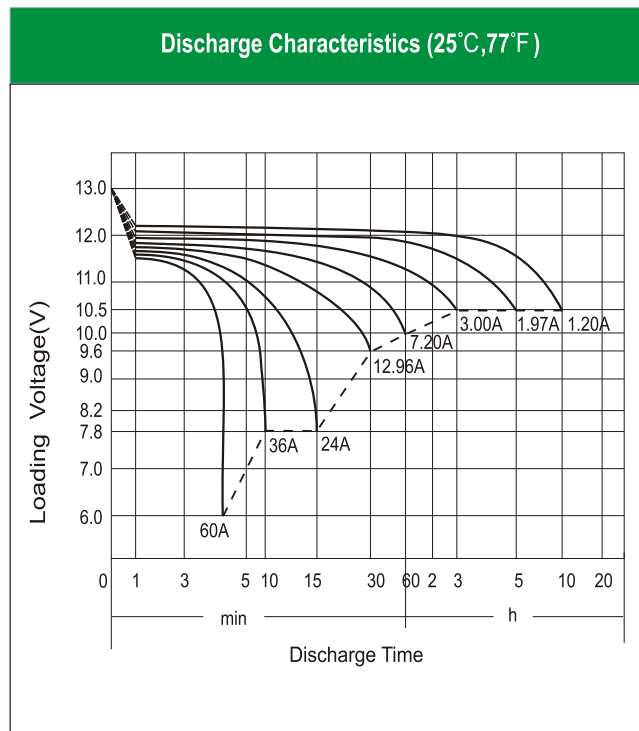
LEOCH BATTERY
EB14A-3 [12V12Ah]



Physical Specification

Nominal Voltage	12V	
Nominal Capacity (10HR)	12Ah	
Dimension	Length	133 ± 2mm (5.24 inches)
	Width	90 ± 2mm (3.54 inches)
	Container Height	164 ± 2mm (6.46 inches)
	Total Height (with Terminal)	164 ± 2mm (6.46 inches)
Weight	Battery(with acid): Approx 4.40kg (9.70lbs)	
	Electrolyte: Approx 0.82kg (1.81lbs)	

- * Sealed and non-spillable AGM battery
- * Maintenance-free
- * Powerful 220 cold cranking amps
- * Shipped pre-charged and ready to install
- * Replaces EBX14AHL-BS battery



Electrical Specification

Rated Capacity	10 hour rate (1.20 A)	12.0Ah
	5 hour rate (1.97 A)	9.84Ah
	2 hour rate (4.20 A)	8.40Ah
	1 hour rate (7.20 A)	7.20Ah
	0.5 hour rate (12.96 A)	6.48Ah
Capacity affected by Temperature	40 °C (104 °F)	106%
	25 °C (77 °F)	100%
	0 °C (32 °F)	86%
	-15 °C (5 °F)	65%
Charging Methods	Full Charge	Constant-Voltage Charge: Initial charging current: less than 3.6A Voltage: 14.40 V ~ 15.00 V at 25 °C (77 °F) Charging time: 15 ~18h Constant-Current Charge: Charging current: 0.1C ₁₀ =1.20A, when charging voltage up to 14.40V, continue to charge 4h
	Floating Charge	No limit on Initial charging current Voltage: 13.50 V ~ 13.80 V at 25 °C (77 °F)