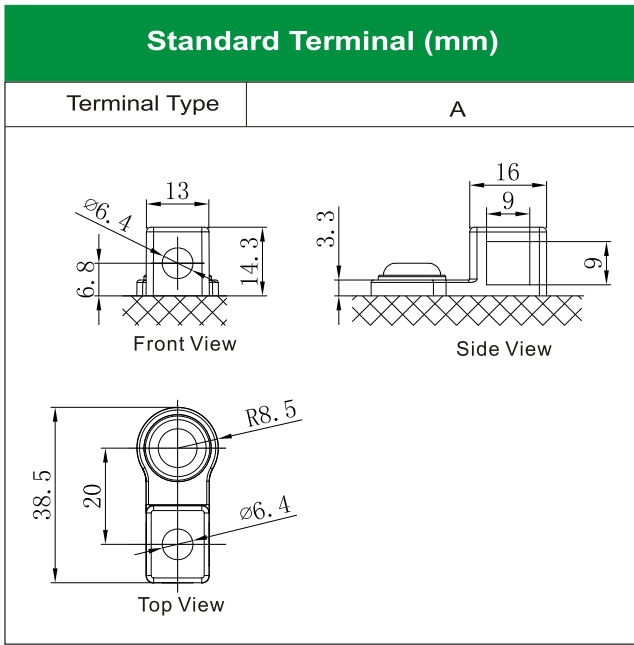
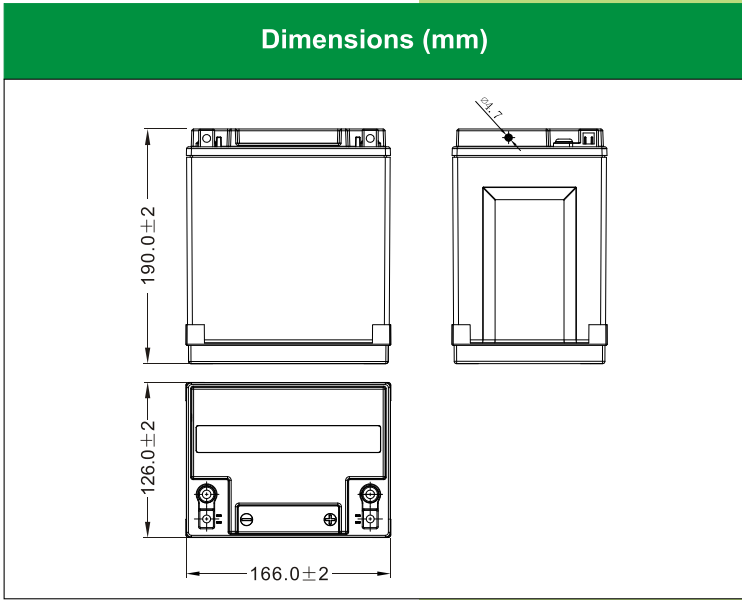
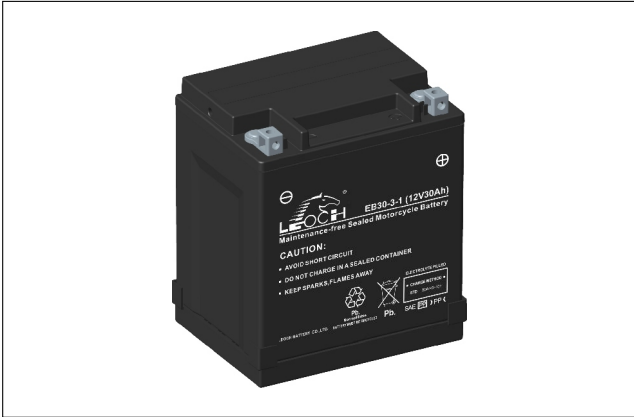




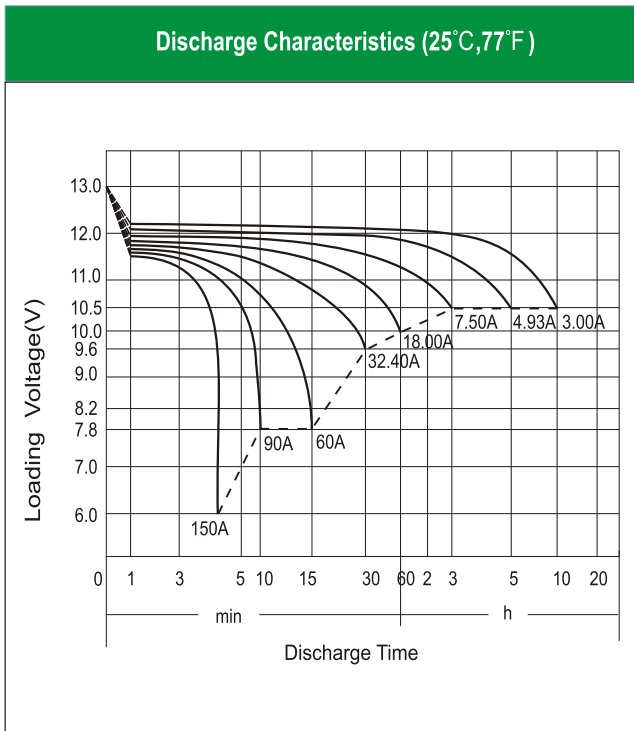
LEOCH BATTERY EB30-3-1-PW [12V30Ah]



Physical Specification

Nominal Voltage	12V	
Nominal Capacity (10HR)	30Ah	
Dimension	Length	166 ± 2mm (6.54 inches)
	Width	126 ± 2mm (4.96 inches)
	Container Height	190 ± 2mm (7.48 inches)
	Total Height (with Terminal)	190 ± 2mm (7.48 inches)
Weight	Battery(with acid): Approx 9.43kg (20.79lbs)	
	Electrolyte: Approx 1.82kg (4.01lbs)	

- * Sealed and non-spillable AGM battery
- * Maintenance-free
- * Powerful 400 cold cranking amps
- * Shipped pre-charged and ready to install
- * Replaces EBX30L-BS battery



Electrical Specification

Rated Capacity	10 hour rate (3.00 A)	30.00Ah
	5 hour rate (4.92 A)	24.60Ah
	2 hour rate (10.5 A)	21.00Ah
	1 hour rate (18.0 A)	18.00Ah
	0.5 hour rate (32.4 A)	16.20Ah
Capacity affected by Temperature	40 °C (104 °F)	106%
	25 °C (77 °F)	100%
	0 °C (32 °F)	86%
	-15 °C (5 °F)	65%
Charging Methods	Full Charge	Constant-Voltage Charge: Initial charging current: less than 9.0A Voltage: 14.40 V ~ 15.00 V at 25 °C (77 °F) Charging time: 15 ~18h Constant-Current Charge: Charging current: 0.1C ₁₀ =3.00A, when charging voltage up to 14.40V, continue to charge 4h
	Floating Charge	No limit on Initial charging current Voltage: 13.50 V ~ 13.80 V at 25 °C (77 °F)