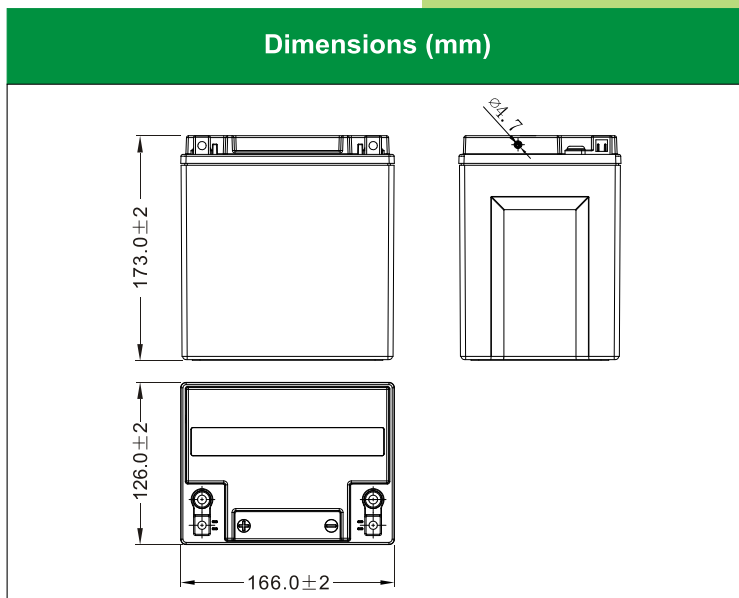
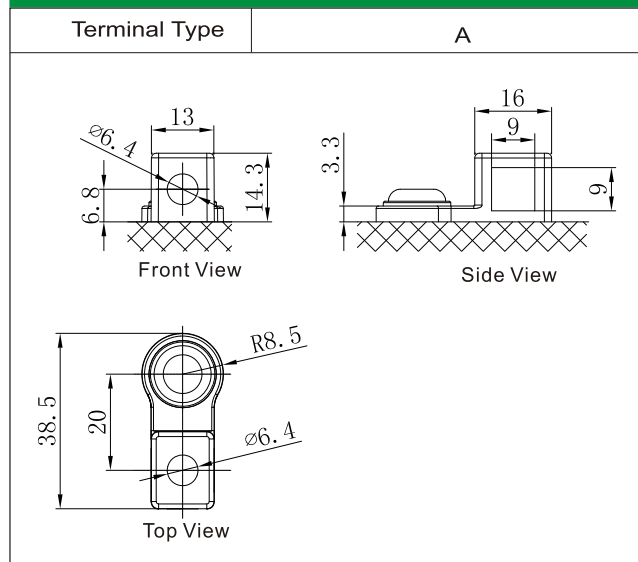




# LEOCH BATTERY EB30-4-1 (12V30Ah)



### Standard Terminal (mm)

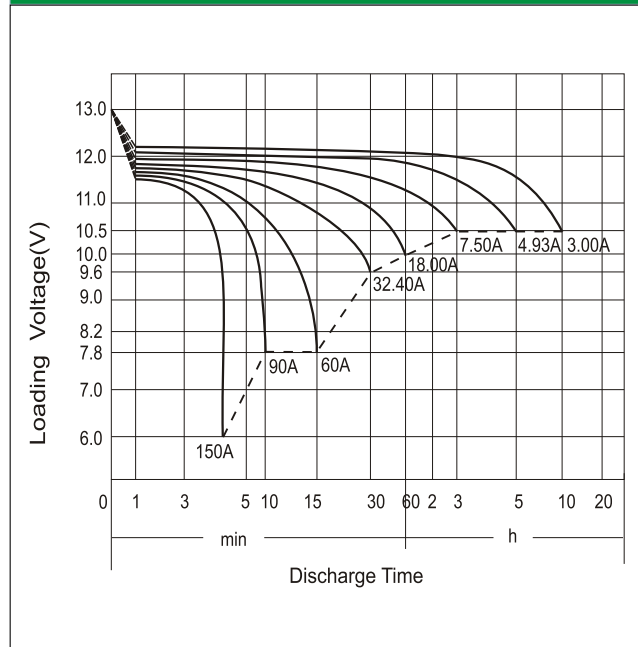


### Physical Specification

Nominal Voltage	12V	
Nominal Capacity (10HR)	30Ah	
Dimension	Length	166 ± 2mm (6.54 inches)
	Width	126 ± 2mm (4.96 inches)
	Container Height	173 ± 2mm (6.81 inches)
	Total Height (with Terminal)	173 ± 2mm (6.81 inches)
Weight	Battery(with acid): Approx 9.38kg (20.68lbs)	
	Electrolyte: Approx 1.82kg (4.01lbs)	

- \* Sealed and non-spillable AGM battery
- \* Maintenance-free
- \* Powerful 385 cold cranking amps
- \* Shipped pre-charged and ready to install
- \* Replaces EBX30L-BS battery

### Discharge Characteristics (25°C, 77°F)



### Electrical Specification

Rated Capacity	10 hour rate (3.00 A)	30.00Ah	
	5 hour rate (4.92 A)	24.60Ah	
Capacity affected by Temperature	2 hour rate (10.5 A)	21.00Ah	
	1 hour rate (18.0 A)	18.00Ah	
	0.5 hour rate (32.4 A)	16.20Ah	
	40 °C (104 °F)	106%	
Charging Methods	Full Charge	25 °C (77 °F)	100%
		0 °C (32 °F)	86%
	Floating Charge	-15 °C (5 °F)	65%
		Constant-Voltage Charge: Initial charging current: less than 9.0A Voltage: 14.40 V ~ 15.00 V at 25 °C (77 °F) Charging time: 15 ~18h Constant-Current Charge: Charging current: 0.1C <sub>10</sub> =3.00A, when charging voltage up to 14.40V, continue to charge 4h	