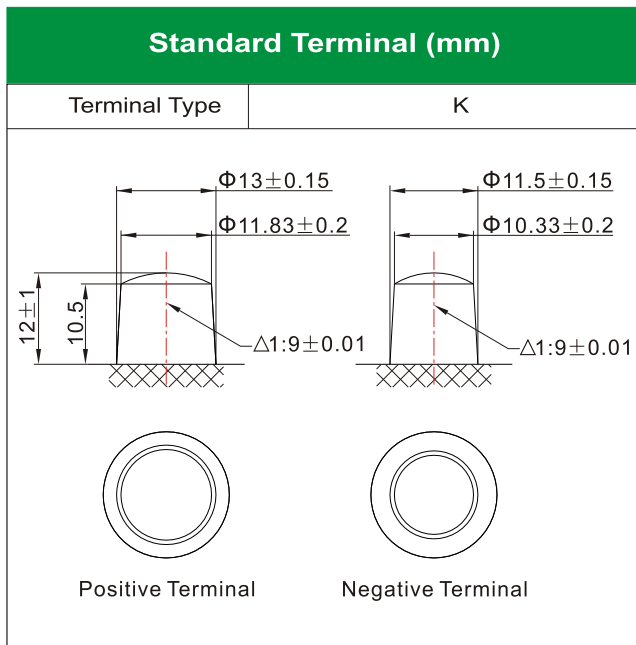
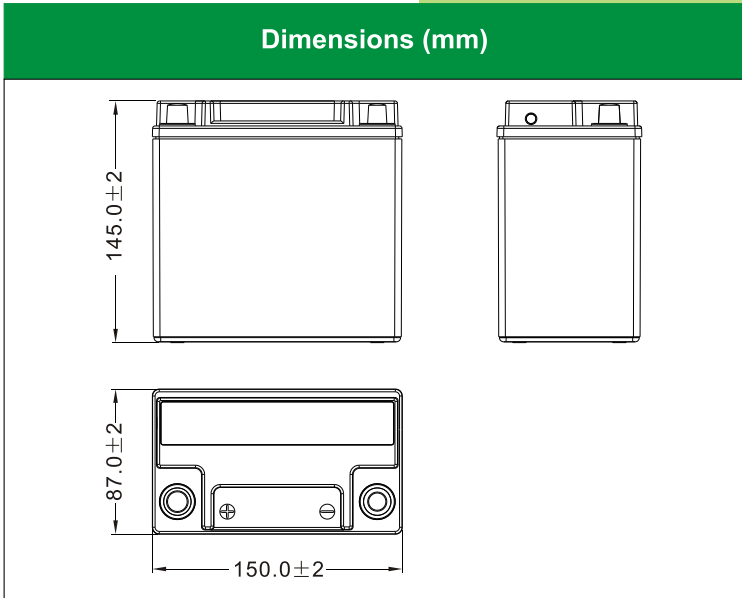




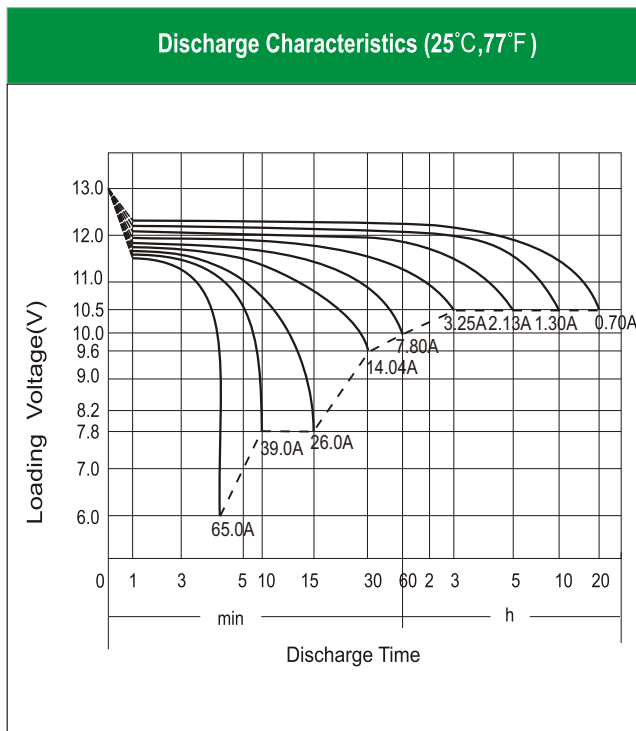
LEOCH BATTERY JB14-4 [12V14Ah]



Physical Specification

Nominal Voltage		12V
Nominal Capacity (20HR)		14Ah
Dimension	Length	150 ± 2mm (5.91 inches)
	Width	87 ± 2mm (3.43 inches)
	Container Height	145 ± 2mm (5.71 inches)
	Total Height (with Terminal)	145 ± 2mm (5.71 inches)
Weight	Battery(with acid): Approx 4.62kg (10.19lbs) Electrolyte: Approx 0.92kg (2.03lbs)	

- * Sealed and non-spillable AGM battery
- * Maintenance-free
- * Powerful 200 cold cranking amps
- * Shipped pre-charged and ready to install
- * Replaces none battery



Electrical Specification

Rated Capacity	20 hour rate (0.70 A)	14.00Ah
	10 hour rate (1.30A)	13.0Ah
	5 hour rate (2.13A)	10.66Ah
	2 hour rate (4.55A)	9.10Ah
	1 hour rate (7.80A)	7.80Ah
	0.5 hour rate (14.04A)	7.02Ah
Capacity affected by Temperature	40 °C (104 °F)	106%
	25 °C (77 °F)	100%
	0 °C (32 °F)	86%
	-15 °C (5 °F)	65%
Charging Methods	Full Charge	Constant-Voltage Charge: Initial charging current: less than 3.9A Voltage: 14.40 V ~ 15.00 V at 25 °C (77 °F) Charging time: 15 ~18h Constant-Current Charge: Charging current: 0.1C ₁₀ =1.30A, when charging voltage up to 14.40V, continue to charge 4h
	Floating Charge	No limit on Initial charging current Voltage: 13.50 V ~ 13.80 V at 25 °C (77 °F)