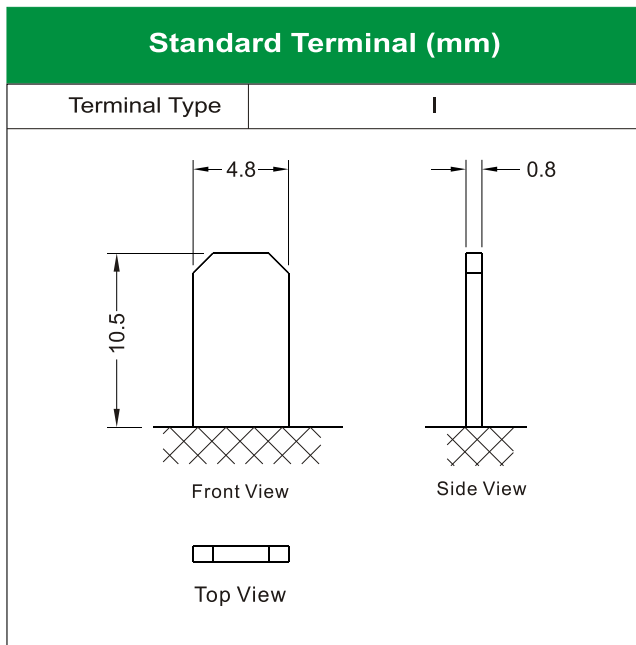
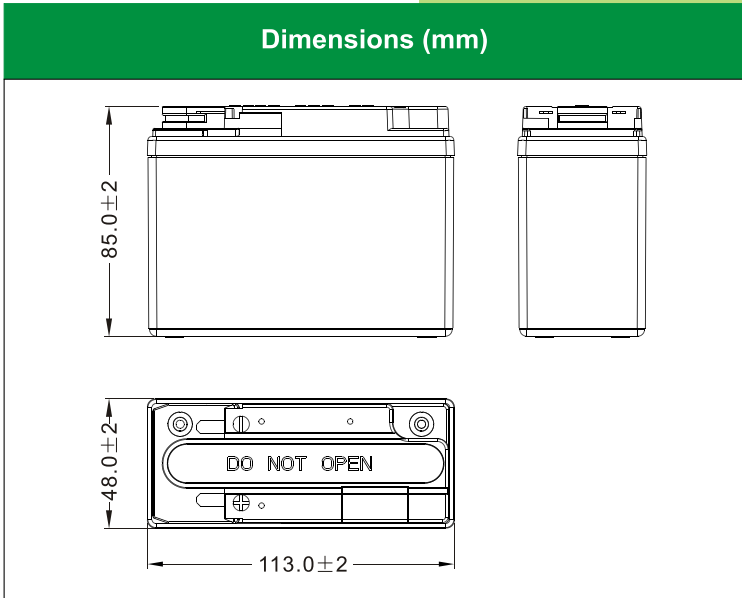




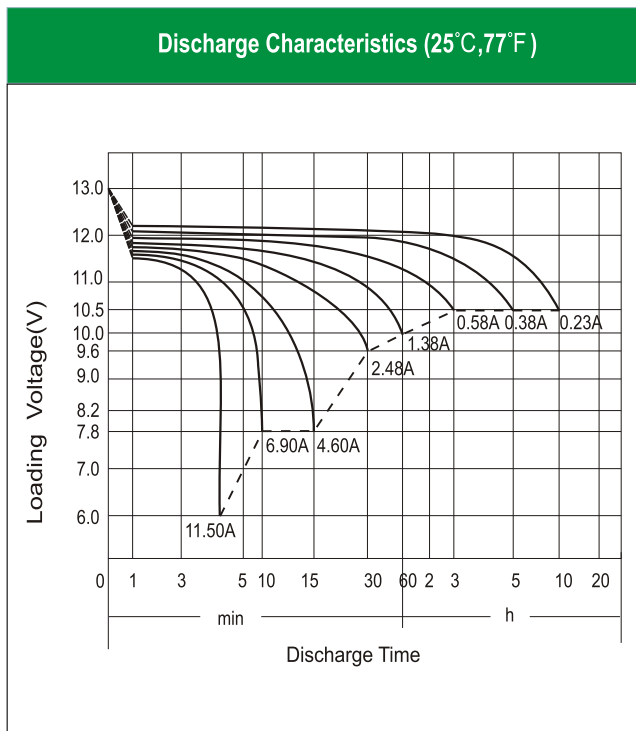
LEOCH BATTERY LTR4A-BS (12V2.3Ah)



Physical Specification

Nominal Voltage	12V	
Nominal Capacity (10HR)	2.3Ah	
Dimension	Length	113 ± 2mm (4.45 inches)
	Width	48 ± 2mm (1.89 inches)
	Container Height	85 ± 2mm (3.35 inches)
	Total Height (with Terminal)	85 ± 2mm (3.35 inches)
Weight	Battery(with acid): Approx 0.99kg (2.18lbs)	
	Electrolyte: Approx 0.16kg (0.35lbs)	

- * Sealed AGM battery
- * Fresh Pack, Maintenance Free
- * Powerful 30cold cranking amps
- * Rest after filling acid
- * Maximum tilt angle for installation: 25°



Electrical Specification

Rated Capacity	10 hour rate (0.23 A)	2.30Ah
	5 hour rate (0.38 A)	1.89Ah
	2 hour rate (0.81 A)	1.61Ah
	1 hour rate (1.38 A)	1.38AH
	0.5 hour rate (2.48 A)	1.24AH
Capacity affected by Temperature	40 °C (104 °F)	106%
	25 °C (77 °F)	100%
	0 °C (32 °F)	86%
	-15 °C (5 °F)	65%
Charging Methods	Full Charge	Constant-Voltage Charge: Initial charging current: less than 0.69A Voltage: 14.40 V ~ 15.00 V at 25 °C (77 °F) Charging time: 15 ~18h Constant-Current Charge: Charging current: 0.1C ₁₀ =0.23A, when charging voltage up to 14.40V, continue to charge 4h
	Floating Charge	No limit on Initial charging current Voltage: 13.50 V ~ 13.80 V at 25 °C (77 °F)