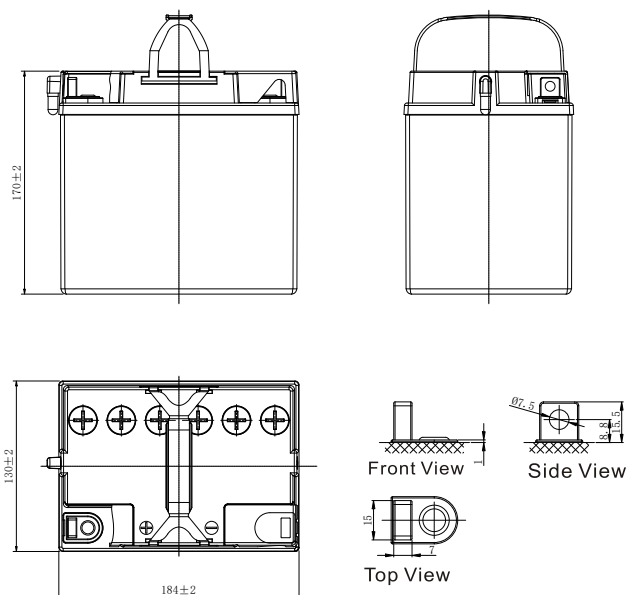


CONVENTIONAL FLOODED MOTORCYCLE BATTERY

L60-N30-A/HD (12V30Ah)



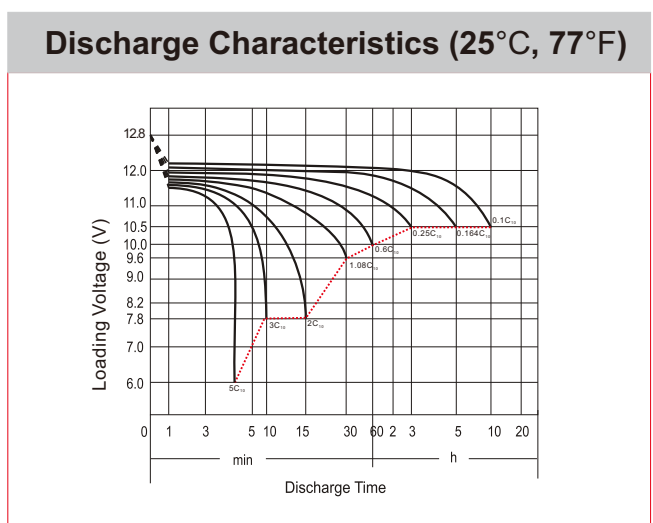
GENERAL FEATURES

- Low maintenance
- High performance and dry charged high quality and flooded battery
- Shipped without battery electrolyte pre-charged and ready to install

*Values are subject to variation of +/- 5% in normal manufacturing processes.

CHARACTERISTICS

Item	Specifications	
Nominal Voltage	12V	
Nominal Capacity (10HR)	30Ah	
Cold Cranking Performance Amps@0°F (-18°C)	300A	
Dimension (±2mm)	Length	184mm (7.24inches)
	Width	130mm (5.12inches)
	Container Height	170mm (6.69inches)
	Total Height	170mm (6.69inches)
Battery (with acid)	Approx Weight	8.41kg (18.5lbs)
Electrolyte	Approx Weight	2.46kg (5.42lbs)
Terminal type	G	
Battery type	Conventional Flooded (High Performance) Series	
Constant-Voltage Charge:		
Initial charging current	Less than 0.3C ₁₀	
Voltage	14.40V~15.00V at 25°C (77°F)	
Charging time	16~24h	
Constant-Current Charge:		
Charging current 0.1C ₁₀ , when charging voltage up to 15.60V, continue to charge 2h		
Floating Charge	Initial charging current	Unlimited
	Voltage	13.50V~13.80V at 25°C (77°F)
Capacity affected by Temperature	40°C (104°F)	106%
	25°C (77°F)	100%
	0°C (32°F)	86%
	-15°C (5°F)	65%



Leoch International Technology Ltd.
www.leoch.com

Leoch Batteries Pte Ltd
www.leoch.sg

Leoch Battery Corporation
www.leochamericas.com

Leoch Europe S.A.
www.leoch.eu