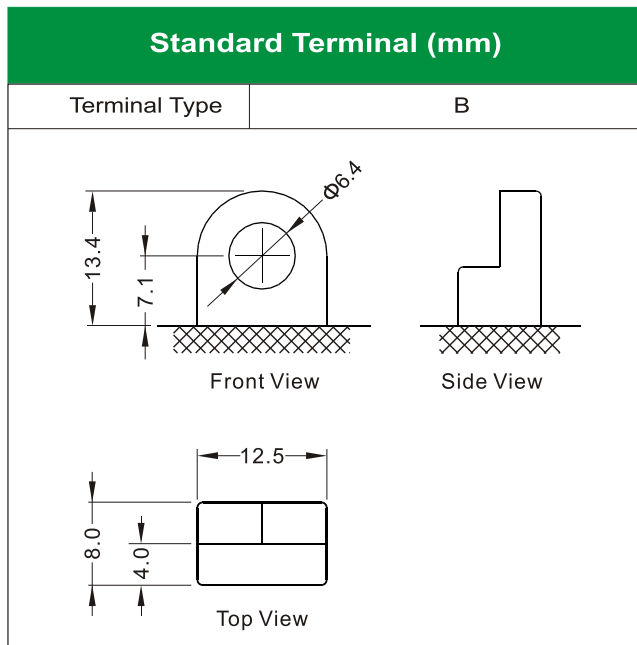
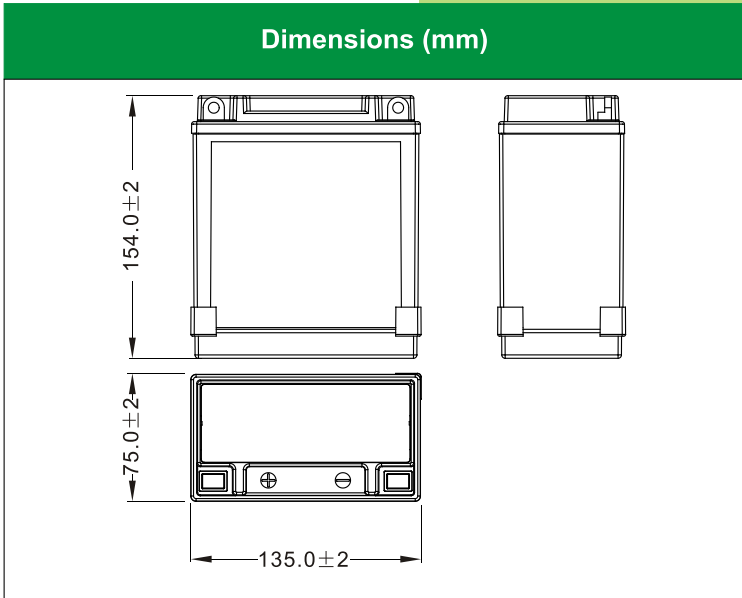




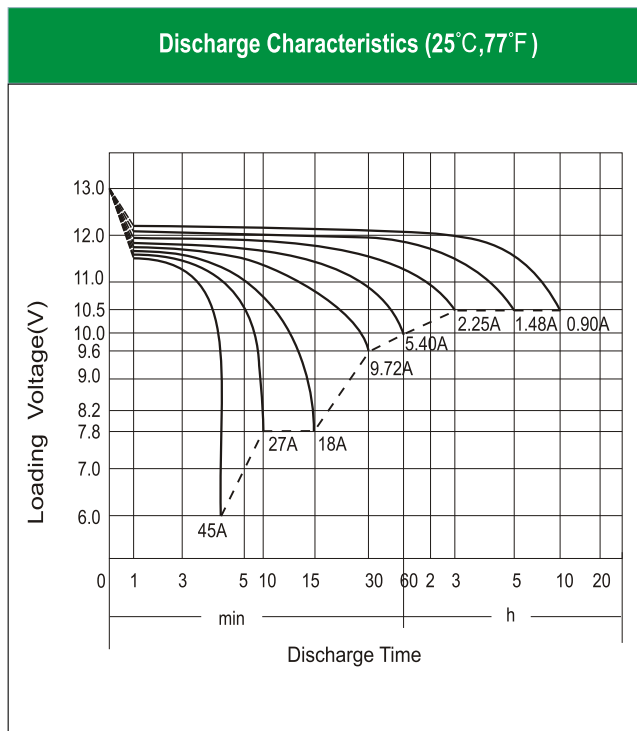
# LEOCH BATTERY LT9A-4-PW (12V9Ah)



### Physical Specification

Nominal Voltage	12V	
Nominal Capacity (10HR)	9Ah	
Dimension	Length	135 ± 2mm (5.31 inches)
	Width	75 ± 2mm (2.95 inches)
	Container Height	154 ± 2mm (6.06 inches)
	Total Height (with Terminal)	154 ± 2mm (6.06 inches)
Weight	Battery(with acid): Approx 3.10kg (6.84lbs)	
	Electrolyte: Approx 0.63kg (1.39lbs)	

- \* Sealed and non-spillable AGM battery
- \* Maintenance-free
- \* Powerful 100 cold cranking amps
- \* Shipped pre-charged and ready to install
- \* Replaces LT9A-BS battery



### Electrical Specification

Rated Capacity	10 hour rate (0.90 A)	9.0Ah
	5 hour rate (1.48 A)	7.38Ah
	2 hour rate (3.15 A)	6.30Ah
	1 hour rate (5.40 A)	5.40Ah
	0.5 hour rate (9.72 A)	4.86Ah
Capacity affected by Temperature	40 °C (104 °F)	106%
	25 °C (77 °F)	100%
	0 °C (32 °F)	86%
	-15 °C (5 °F)	65%
Charging Methods	Full Charge	Constant-Voltage Charge: Initial charging current: less than 2.7A Voltage: 14.40 V ~ 15.00 V at 25 °C (77 °F) Charging time: 15 ~18h Constant-Current Charge: Charging current: 0.1C <sub>10</sub> =0.90A, when charging voltage up to 14.40V, continue to charge 4h
	Floating Charge	No limit on Initial charging current Voltage: 13.50 V ~ 13.80 V at 25 °C (77 °F)