

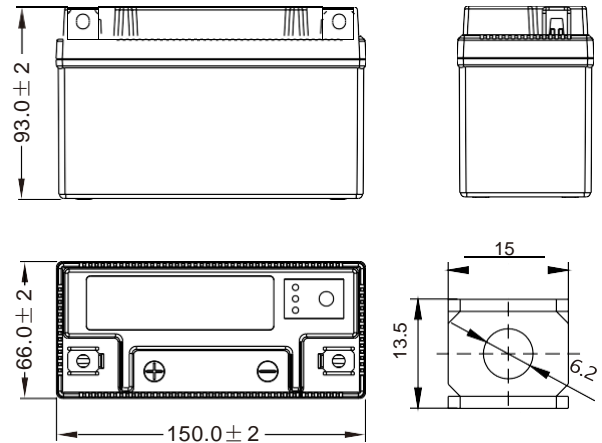
# Starter batteries for motorcycles

## LFPS-9B [12.8V3Ah]

### Physical Specification

Nominal Voltage		12.8V
Nominal Capacity (10Hr)		3.0 Ah
Dimension	Length	150±2mm (5.91 inches)
	Width	66±2mm (2.60 inches)
	Container Height	93±2mm (3.66 inches) Total
	Height (with Terminal)	93±2mm (3.66 inches)
Weight	Approx 0.56kg (1.23lbs)	

- \* Motorcycle Li-ion battery
- \* Maintenance-free
- \* Real-time protection (overcharge, over-discharge, over-temperature) and energy balance of battery system through BMS
- \* Powerful 90 cold cranking amps
- \* Shipped pre-charged and ready to install
- \* Replaces YT7B-BS/YT9B-BS battery



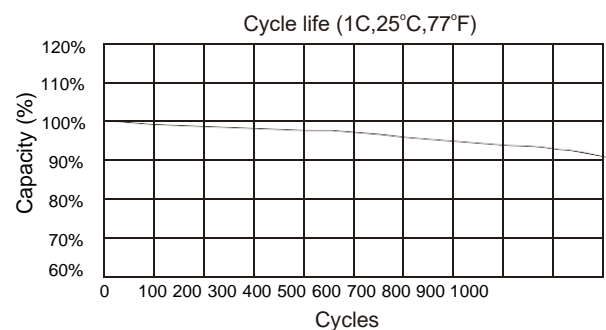
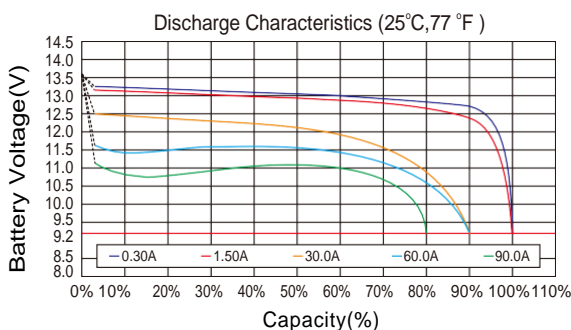
Dimensions (mm)

### Electrical Specification

Rated Capacity	0.1C rate (0.3A)	3.0Ah
	0.5C rate (1.5A)	3.0Ah
	10C rate (30.0A)	2.7Ah
	30C rate (90.0A)	5S
Capacity affected by Temperature	40 °C (104 °F)	98%
	25 °C (77 °F)	100%
	0 °C (32 °F)	85%
	-20 °C (-4 °F)	60%
Self Discharge	Approximately 1.5% per month (25°C (77°F))	
Charging Methods	Constant-Voltage Charge:	
	Full Charge Initial charging current: less than 1.5A Voltage: 14.40 V ~ 14.60 V at 25 °C (77 °F)	



### Curve Specification



Publication No :LB-LFPS-9B-PD-EN-V2.0-202208

